

THIS DRAWING IS UNPUBLISHED.

RELEASED FOR PUBLICATION

,19

© COPYRIGHT 19

BY AMP INCORPORATED. ALL INTERNATIONAL RIGHTS RESERVED.

LOC

DIST

P

F

ZONE

LTR

REVISIONS

DESCRIPTION

DATE

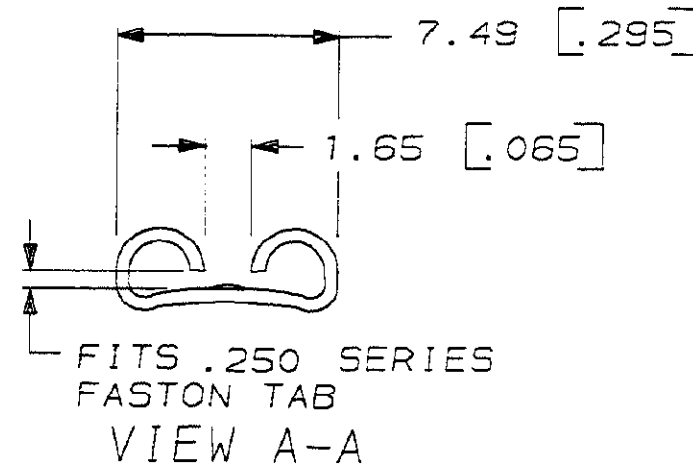
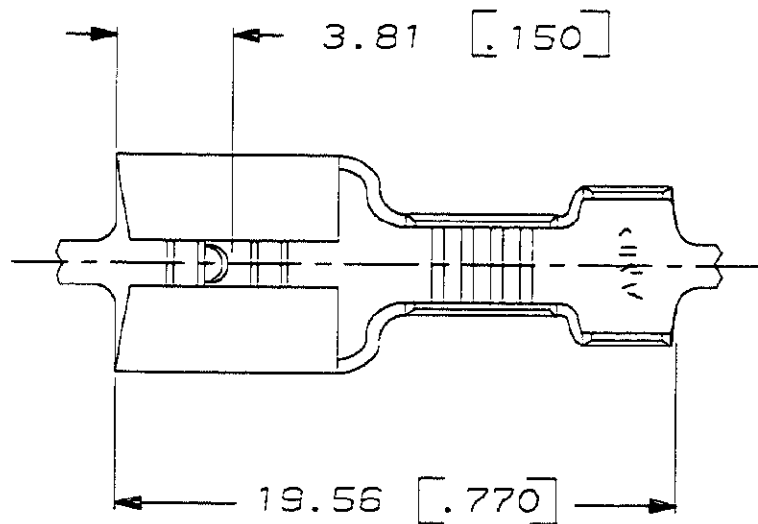
APPD

AF

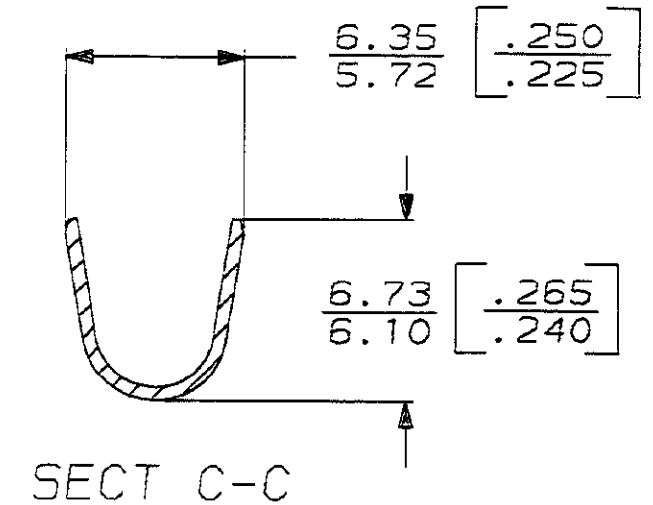
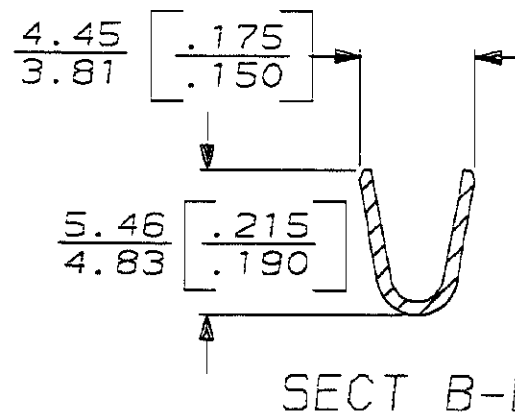
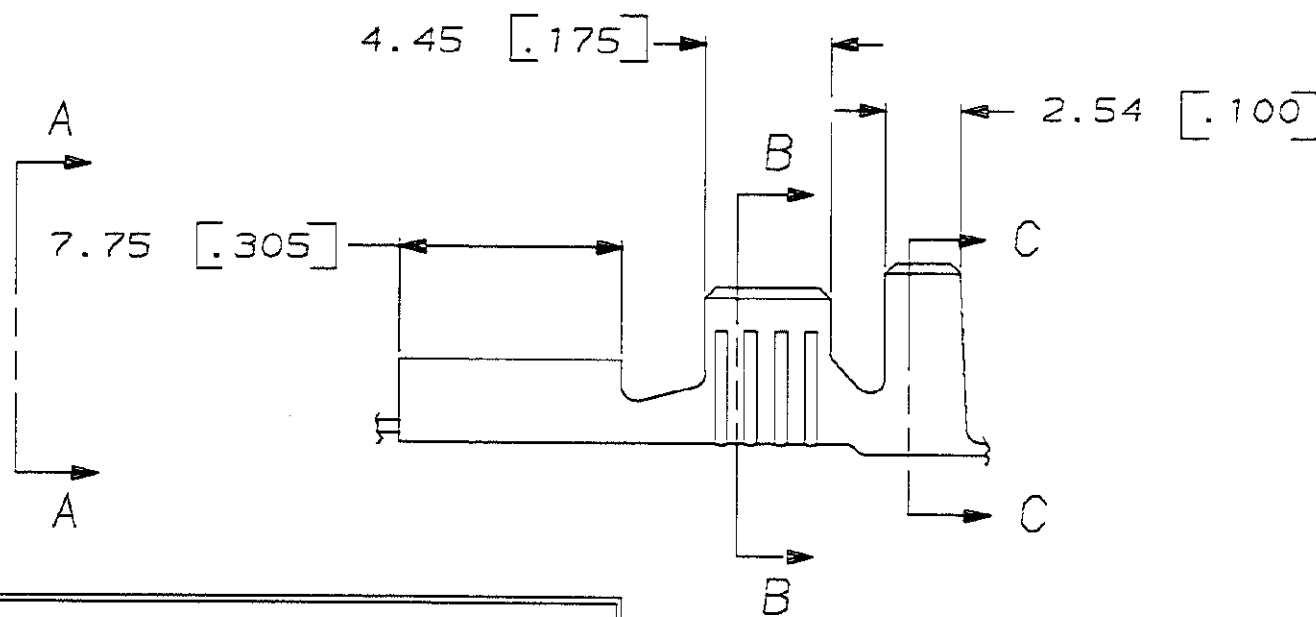
50

Y OBS -2 PER 0024-94

1/18/94 JR/DT



1- DIM'S IN BRACKETS ARE IN INCHES.  
2- CONTINUOUS STRIP ON REELS.



**METRIC**

0	5.33 [.210]	5.59 [.220]	F	3.30 [.130]	2.90 [.114]	5.0mm [.10]
					2.39 [.094]	3.0mm [.12]
					2.08 [.082]	2.0mm [.14]
TYPE	WIDTH	STRIP LENGTH ±0.38 [±.015]	TYPE	WIDTH	±.051 [E.002] HEIGHT	WIRE
INSUL BARREL CRIMP			WIRE BARREL CRIMP			

3.81 - 5.08 [.150-.200] DIA	2.0 - 5.0mm <sup>2</sup> [14-10] AWG	0.81 [.032]	NICKEL	41449-2
INSUL RANGE	WIRE SIZE	MATING TAB THK ±0.025 [E.001]	FINISH	41449
DO NOT SCALE PRINT. UNLESS SPECIFIED DIMENSIONS IN mm (INCHES) TOLERANCES ON: 2 PLC DEC = 0.25 [E.010] 3 PLC DEC = - ANGLES = -	DR 2/7/86 JR RUTH CHK 2/7/86 S YETTER APPD 2/7/86 C MEYERS APPD 2/7/86 R KUZO PRODUCT SPEC - APPLICATION SPEC - WEIGHT -	<b>AMP</b> AMP Incorporated Harrisburg, PA 17105-3608 NAME RECEPTACLE, FASTON, 6.35 [.250] SERIES SIZE <b>B</b> CAGE CODE 00779 DRAWING NO 41449 SCALE 4:1 SHEET 1 OF 1		
MATERIAL BRASS 0.46 [.018]	FINISH SEE TABLE			